

Scandinavian Transformer

1 Phase EI Transformer

Control Panel Transformer - Primary +15-0-230-400 VAC

Standard control panel transformers with mounting brackets and terminals. Designed according to the following specifications.

- High quality safety and isolating transformers designed for use in control circuits and general applications
- Low noise laminations
- Dual standard primary winding 230/400V AC with +15V tap for input flexibility
- Dual secondary centre tapped. Earth terminal provided
- Varnish impregnated for overall protection against humidity and rusting
- Fully shrouded screw terminal with voltage markings
- Detailed product specification on permanent label
- High efficiency, low regulation design
- 100% electrical and flash tested

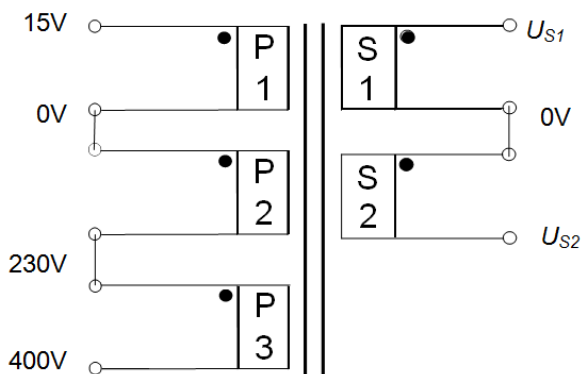


Specifications

Power: 50 - 1000 VA
Frequency: 50/60 Hz
Primary: +15-0-230-400 VAC
Secondary: 12-0-12, 24-0-24, 55-0-55 or 0-230 VAC
Isolation: 4 kV RMS
Temp. class: B (130°)
According to: EN61558-2-2

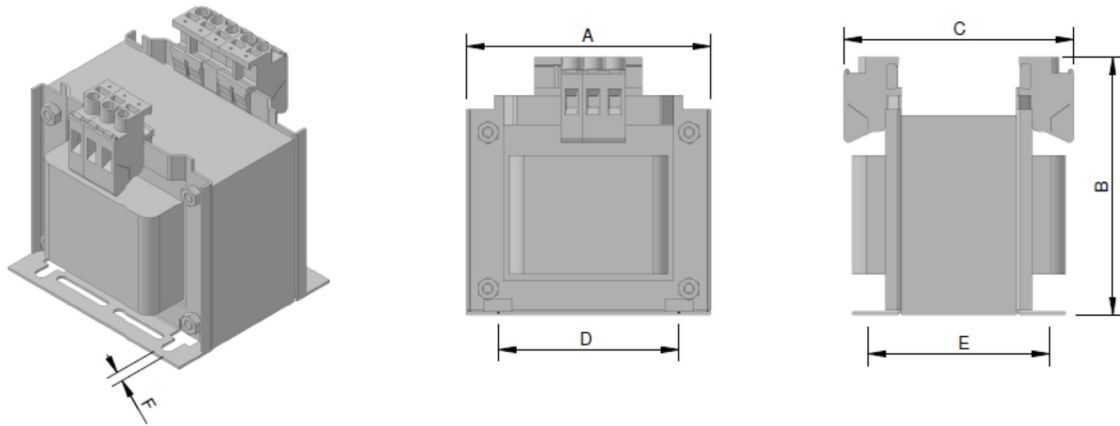


Schematic:



Scandinavian Transformer

Dimensions:



Power	Overall Size	Fixing	Fixing	Weight
[VA]	A x B x C [mm]	D x E [mm]	F [mm]	[kg]
50	84 x 91 x 84	64 x 64	4.5	1.9
100	84 x 91 x 97	64 x 72	4.5	2.5
150	108 x 110 x 90	84 x 72	6.5	3.5
200	108 x 110 x 114	84 x 92	6.5	5
300	120 x 130 x 143	90 x 106	6.5	6.9
500	120 x 130 x 143	90 x 106	6.5	7.5
1000	150 x 155 x 175	122 x 132	7	14.6