

Scandinavian Transformer

M36 DIN rail series transformers

Class II single phase transformers with integrated screw terminals and DIN rail TS35 mounting in modular enclosures are designed according to the following specifications.

- High quality protection or safety isolating transformers designed for use in general applications
- Standard primary winding 230VAC
- Designed for continuous load
- Detailed product specification on permanent label
- High efficiency, low regulation design
- 100% electrical and flash tested
- Protected against short circuit and overload



Specifications

Power: 24 - 75 VA
 Frequency: 50/60 Hz
 Primary: 230 VAC
 Secondary: 6-230 VAC
 Isolation: 4 kV RMS
 Temp. class: E (120°) / ta 40°C
 Protection class: IP20
 According to: EN61558-2-4, EN61558-2-6



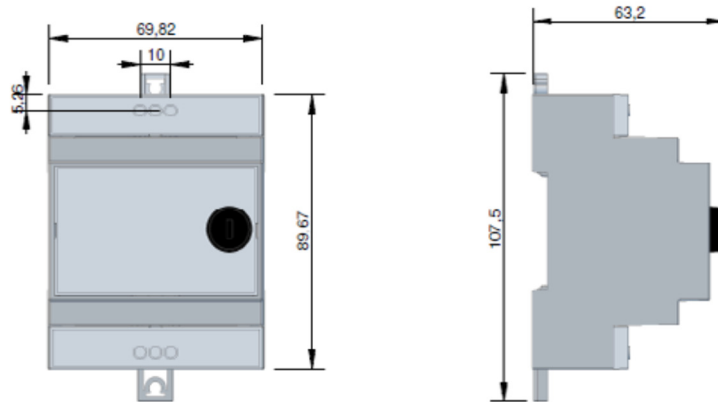
Technical specification

Power	Overall Size
[VA]	W x H x D [mm]
24	71 x 86 x 54
35	88 x 90 x 58
75	160 x 90 x 58

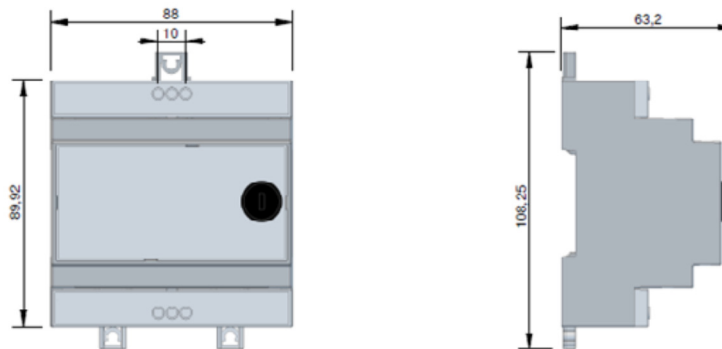
Power [VA]	Primary [V]	Secondary [V]										Modules
24	230	6	9	12	15	18	24	42	48	115	230	4
35	230	6	9	12	15	18	24	42	48	115	230	5
75	230	6	9	12	15	18	24	42	48	115	230	9

Scandinavian Transformer

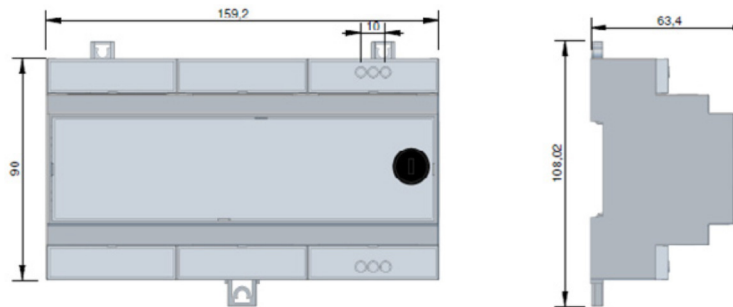
Dimensions in mm for 4 Modules box:



Dimensions in mm for 5 Modules box:



Dimensions in mm for 9 Modules box:



M36 DIN transformers Series line up:

